



# *Vertical Control* **Power Grip**

Congratulations on your purchase of the ProMaster Vertical Control Power Grip for the Canon 6D Mk II. This battery grip will provide longer shooting times for your camera, comfortable photography when taking vertical-orientation shots, and a more stable overall camera rig which reduces the chance of shake and blur.

To ensure proper operation, please read this manual thoroughly before using this product.

This grip is specially designed for the Canon 6D Mk II camera. It is equipped with an alternate shutter button and main dial for easy shooting in a vertical position. This battery grip can hold two LP-E6 / LP-E6N rechargeable Li-ion batteries to extend your shooting time.

## **Warning**

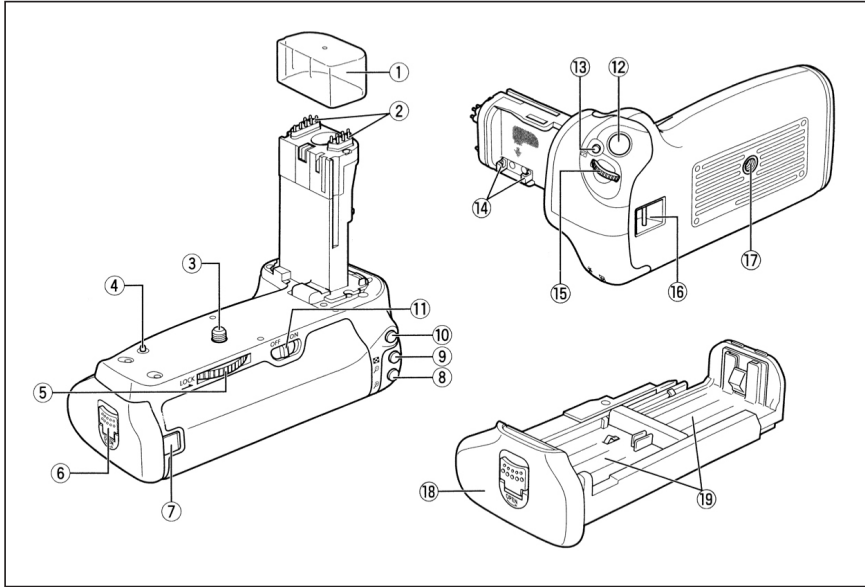
- This product should only be used with compatible devices specified in this instruction sheet.
- Use **ONLY** with the batteries and battery holders recommended.
- The Vertical-grip operation switch is not a power switch; use the camera power switch to turn the power on/off.
- Do not have batteries installed in the grip when mounting it to the camera or removing it from the camera.
- Remove batteries from the grip when not in use for an extended period.
- Do not disassemble or repair this product yourself. Doing so will void your warranty.
- Avoid water or extreme humidity and be sure to store in a cool, dry location.
- Do not dispose of in fire or extremely high temperature environment.
- Keep the product and parts away from children to avoid hazard from swallowing.

**Code 8371**

Made in China

**WWW.PROMASTER.COM | FAIRFIELD, CT 06825**

## Part Names



- |                                  |                                    |
|----------------------------------|------------------------------------|
| 1) Protective cap                | 10) AF start button                |
| 2) Electrical contacts           | 11) Vertical grip operation switch |
| 3) Attachment screw              | 12) Shutter button                 |
| 4) Alignment pin                 | 13) AF area selection button       |
| 5) Attach/detach knob            | 14) Battery cover holder           |
| 6) Battery holder release handle | 15) Main dial                      |
| 7) Cover for optional AC cord    | 16) Strap connector                |
| 8) AF point selection button     | 17) Tripod socket                  |
| 9) AE lock / FE lock button      | 18) LPE6 Battery holder tray       |
|                                  | 19) Battery ports                  |

## Specifications

Power Source	2 x LP-E6 / LP-E6N batteries
Compatible Cameras	Canon 6D Mk II
Operating Temperature	0°C to 40°C ( 32°F to 104°F)
Dimensions	Approx. 6" x 3 3/8" x 4 5/8"   152.8mm x 85.5mm x 117mm
Weight (with 1 tray/ no batteries)	Approx. 10.4 oz   295 g

## One Year Unconditional Warranty

If for any reason, this ProMaster product fails within ONE YEAR of the date of purchase, return this product to your ProMaster dealer and it will be exchanged for you at no charge. ProMaster products are guaranteed for ONE FULL YEAR against defects in workmanship and materials. If, at any time after one year, your ProMaster product fails under normal use, we invite you to return it to ProMaster for evaluation.

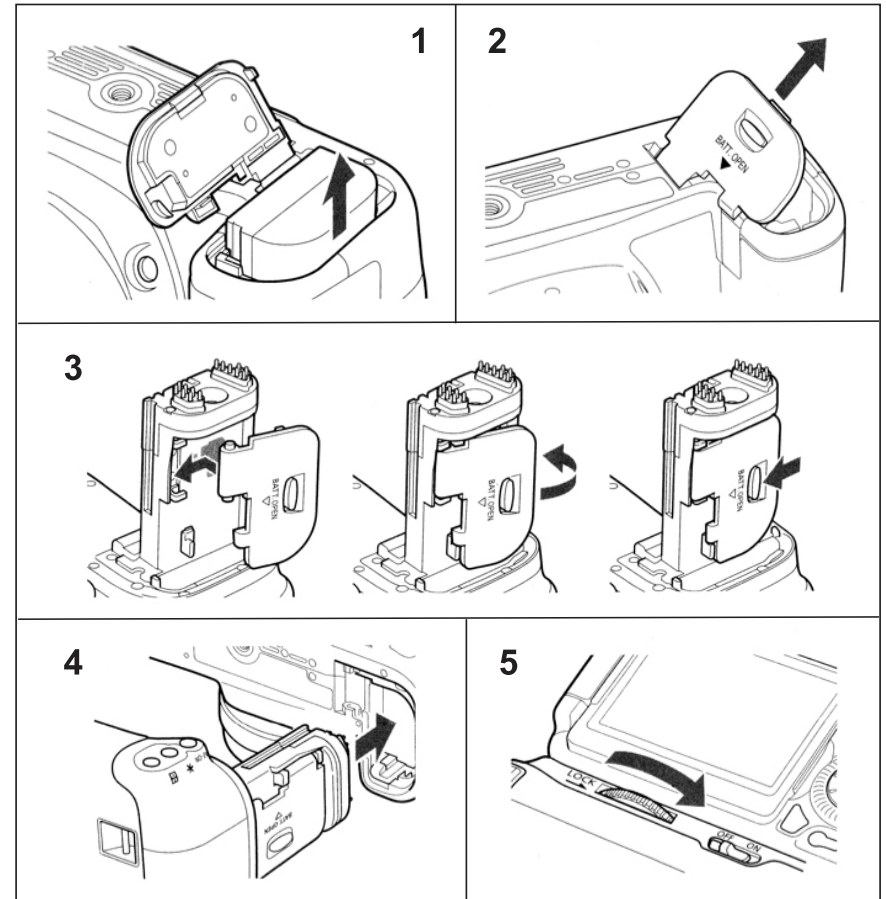
## Operation and Use of the Grip

1. Your camera must be turned ON for the grip to operate. When your camera is ON the grip may be switched ON or OFF by using the Vertical-grip operation switch (11). Please note, the grip will continue to supply power to your camera whether the vertical-grip operation switch is set to ON or OFF. Setting the vertical-grip operation switch to OFF only disables the operation of the grip's camera controls to prevent accidental changes to your camera's settings and/or accidental taking of photographs.
2. Use the grip's Shutter button (12) to comfortably auto focus and take photographs while holding your camera in a vertical position.
3. Use the buttons and command dials such as the AF point selection button (8), AE lock / FE lock button (9), AF start button (10), Shutter button (12), AF area selection button (13) and Main dial (15) as you would on your camera. These controls work the same as they do on your camera.
4. Use the Tripod socket (17) to mount your grip and camera to a tripod or quick release plate.
5. This grip includes two LPE6 battery holder trays so you can carry spare power and change battery trays very fast. However, always be sure to turn of power to your camera before changing batteries.

## Troubleshooting

Symptom	Possible Solution
The camera does not work even after the grip is attached to the camera, the batteries are inserted into the unit and the camera POWER switch is set to ON.	<p>Check that the Camera attachment screw (3) is securely tightened.</p> <p>Check that the batteries are charged.</p> <p>Remove the batteries from Battery holder (18), then re-insert.</p> <p>Set the camera POWER switch to OFF, remove the batteries, and remove then reattach the grip to the camera.</p>
Shutter button or other operating buttons on the grip do not work.	<p>Check that the Vertical grip operation switch (11) is not set to OFF.</p> <p>Remove the batteries from the Battery holder tray (18), then re-insert.</p> <p>Set the camera POWER switch to OFF, remove the batteries, and remove grip then reattach the grip to the camera.</p>

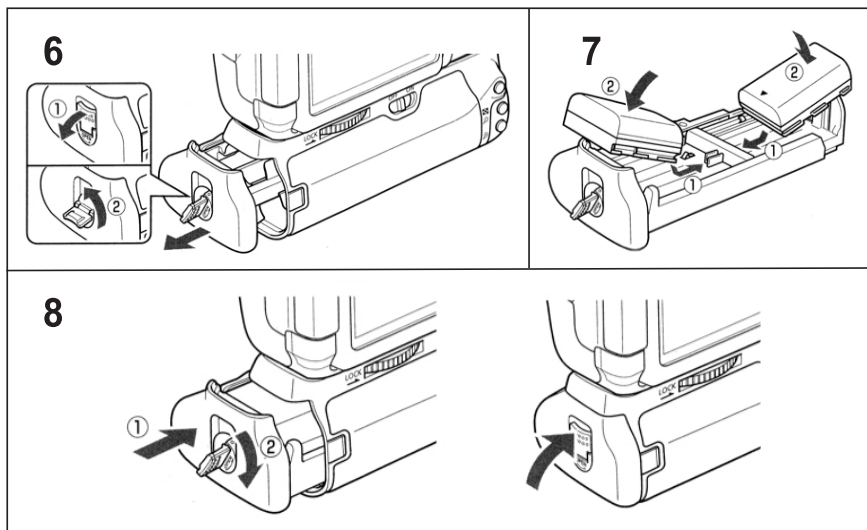
## Attaching To Your Camera



1. Remove the camera's battery.
2. Carefully remove the camera's battery cover by using the small release switch inside the door.
3. Store the camera's battery cover in the Camera battery cover holder (14) of the grip. Do not install any batteries into the grip yet.
4. Attach the grip to the camera by lining up the Attachment screw (3) with the camera's tripod socket and also inserting the Electrical contacts (2) into the camera's battery compartment. The Alignment pin (4) should line-up with a small hole in the bottom of the camera.
5. Use the grip's Attach/detach knob (5) to securely tighten the grip to the camera by rotating it.

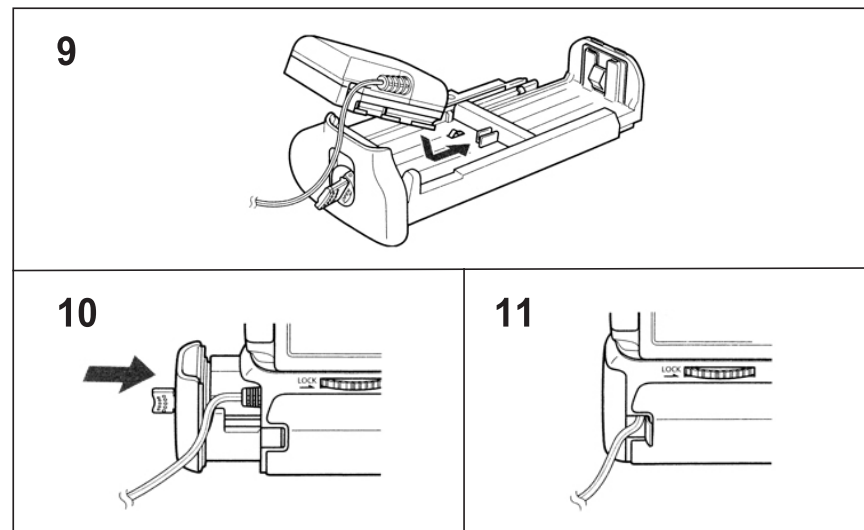
*\*Note: The grip should be installed without any batteries in it.*

## Installing The Batteries



6. Be sure the camera's switch is set to OFF before installing or removing batteries from the grip. Turn the Battery door release handle (6) to OPEN by rotating it counter-clockwise. Pull on the Battery door release handle (6) to slide the Battery holder tray (18) out of the grip.
  7. Insert 1 or 2 LP-E6 or LP-E6N batteries into the Battery holder tray (18). Be sure each battery's contacts face the middle of the Battery holder tray (18) as shown in illustration 7 for proper fit.
  8. Slide the Battery holder tray (18) into the grip's compartment. Turn the Battery door release handle (6) clockwise to securely latch it in place.
- \* Note: If only one battery is used it can be inserted into either side of the tray.*

## Using AC power



9. If you have purchased a Canon AC-E6N AC power supply (sold separately) it will function well with this grip. Insert the DC connector 'dummie battery' portion of the AC-E6N into the grip's Battery holder tray (18) as shown.
10. Route the cable of the AC-E6N through the groove for the AC adapter cord of the tray.
11. Open the Cover for optional AC cord (7) by gently pulling on the rubber cover. Carefully insert the Battery holder tray (18) into the grip's chamber while aligning the AC-E6N's cord with the slot exposed by the opening of the Cover for optional AC cord (7).

*\* Note: Do NOT disconnect the AC-E6N from its power source while the grip is turned ON. Always turn the grip off using the Vertical grip operation switch (17) before disconnecting power. Also turn off the camera's power before disconnecting power.*